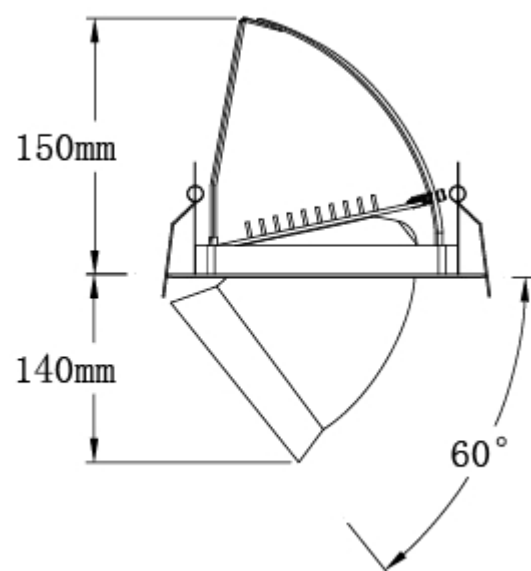
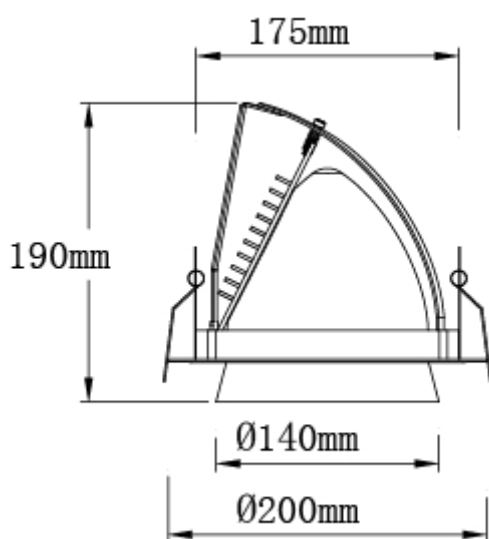
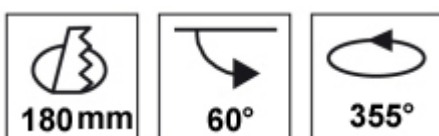


Model No.: SDR-041



Specification

Product Code	SDR-041C	SDR-041D
Operational Voltage	AC85V~265V	AC85V~265V
Power Consumption	15W	20W
Field Angle	26° /38° /44°	26° /38° /44°
Color Temperature	2800K~5000K	2800K~5000K
CRI	Ra=80~90	Ra=80~90
Intensity of Light Output	710lm~900lm	900lm~1100lm
Driver	Optional	Optional
Expected Life	50,000hours	50,000hours
Rating	IP64	IP64



Warranty: 3 years



Dimmable

Contact

Importers and Distributors of Advanced Lighting Technology Systems

Lighting Technologies Australasia Pty Ltd

P: 61 (2) 9467-9100 F: 61 (2) 9467-9111

www.lightingtechnologies.com.au info@lightingtechnologies.com.au