



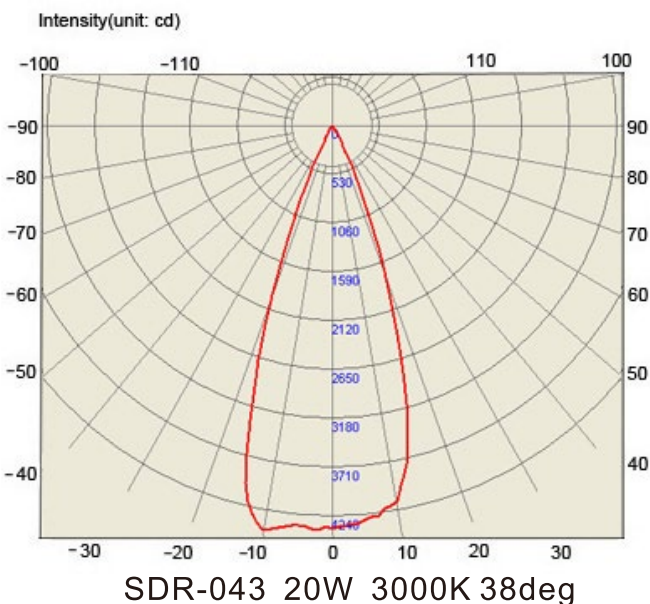
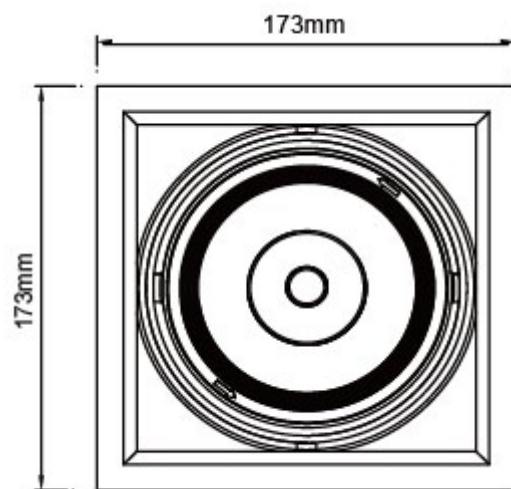
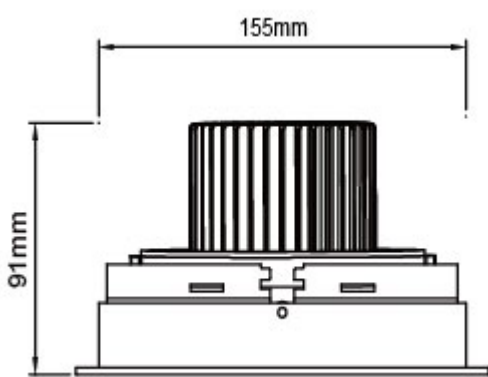
Model No.: SDR-043

- white
- black
- silver

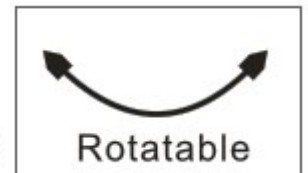


Specification

Product Code	SDR-043C	SDR-043D	SDR-043E
Operational Voltage	AC85V~265V	AC85V~265V	AC85V~265V
Power Consumption	15W	20W	30W
Beam Angle	26° /38° /44°	26° /38° /44°	26° /38° /44°
Color Temperature	2700K~5000K	2700K~5000K	2700K~5000K
CRI	Ra=80~90	Ra=80~90	Ra=80~90
Intensity of Light Output	810lm~1000lm	1100lm~1400lm	1600lm~1900lm
Driver	include	include	include
Expected Life	50,000hours	50,000hours	50,000hours
Rating	IP64	IP64	IP64



cut out hole: 160mm*160mm



Warranty: 3 years



Dimmable

Contact

Importers and Distributors of
Advanced Lighting Technology Systems
Lighting Technologies Australasia Pty Ltd
www.lightingtechnologies.com.au
info@lightingtechnologies.com.au