



Model No.: SDH-002

- white
- silver



Specification

| | | |
|----------------------------|-------------|-------------|
| Product Code | SDH-002 | SDH-002 |
| Operational Voltage | AC220V~240V | AC220V~240V |
| Power Consumption | 10W | 20W |
| Sensor | Option | Option |
| Emergency | Option | Option |
| Rating | IP65 | IP65 |

Dimming

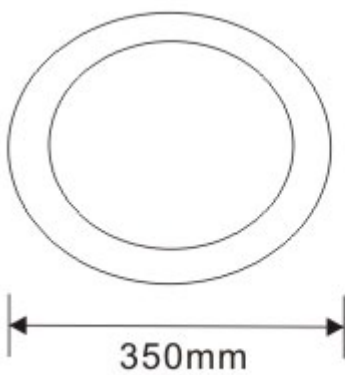
* It will automatically turn down the brightness when nobody there. And the light will quickly start to enter in a full brightness status when somebody there.
*It can avoid the lifetime reduction of the lamp caused by the frequent start.

Sensor(s)

*Time setting: 8sec to 12min(adjustable);
*Detection range: 1m-8m(radii), adjustable;
* Standby power:<0.9W
* Detection angle:360°

Emergency(E)

* When the AC power is OFF, the light still keeps on.



Warranty: 3 years



Dimmable

Contact